

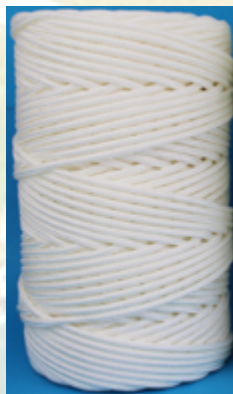


Product sheet 2025 Canoe-kayak slalom equipment

Polyester rope 3mm, 100-200-500m spool for shuttles and suspension of gates



5mm polyester rope, monofilament core, high resistance, 100-200m spool



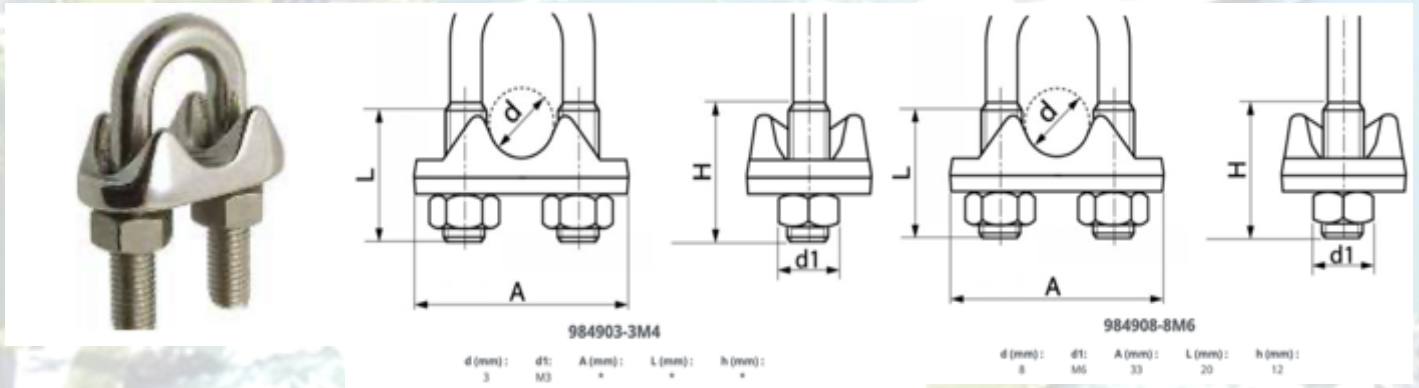
Copper sleeves for 2.5mm cable looping



RHEOLOGY

2156 Route de Cercier 74330 CHOISY France / www.rheologik.com / contact@rheologik.com

clamps for 2.5mm and 8mm cables for cable looping



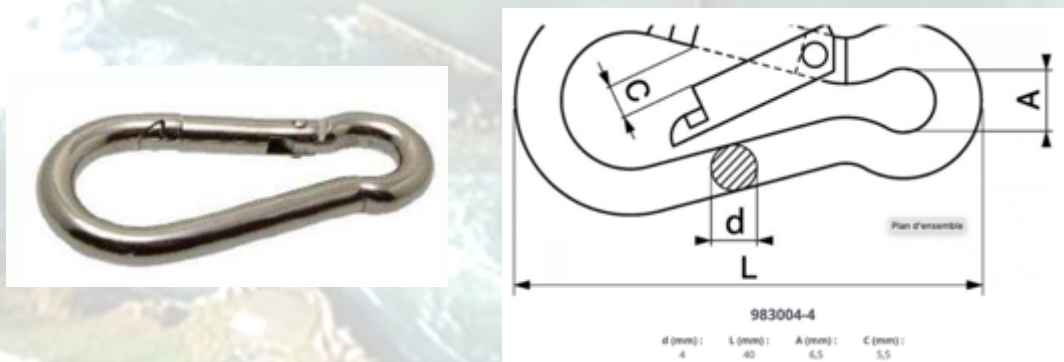
A4 5mm stainless steel quick link for fixing



Single carabiner, A4 stainless steel, 6mm for fixing poles and brackets



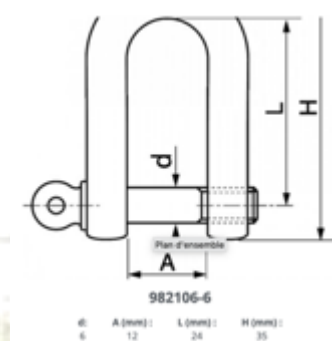
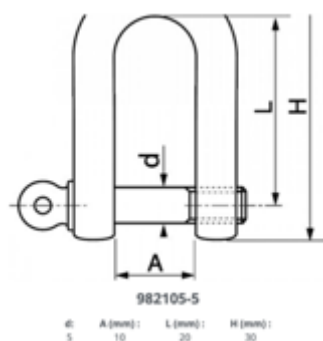
Single stainless steel carabiner A4, 5mm for fixing panel numbers on brackets



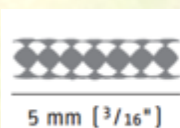
RHEOLOGY

2156 Route de Cercier 74330 CHOISY France / www.rheologik.com / contact@rheologik.com

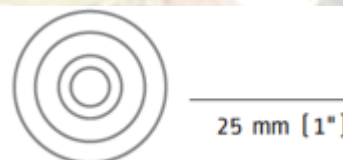
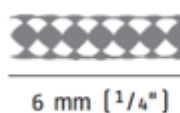
5mm forged A4 stainless steel shackles for fixing eye pulleys & transverse cables on caddies



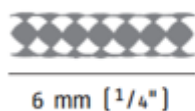
A4 stainless steel eye pulley for shuttles



A4 stainless steel becket pulley for transverse cable tension

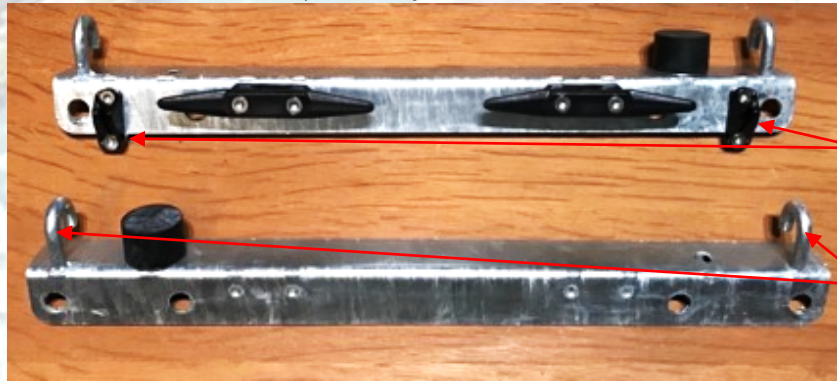


A4 stainless steel becket-jamming pulley for transverse cable tension



Pair of galvanized steel transverse cable support ("ESSENTIAL" version)

With rubber stop and adjustment cleats for shuttle



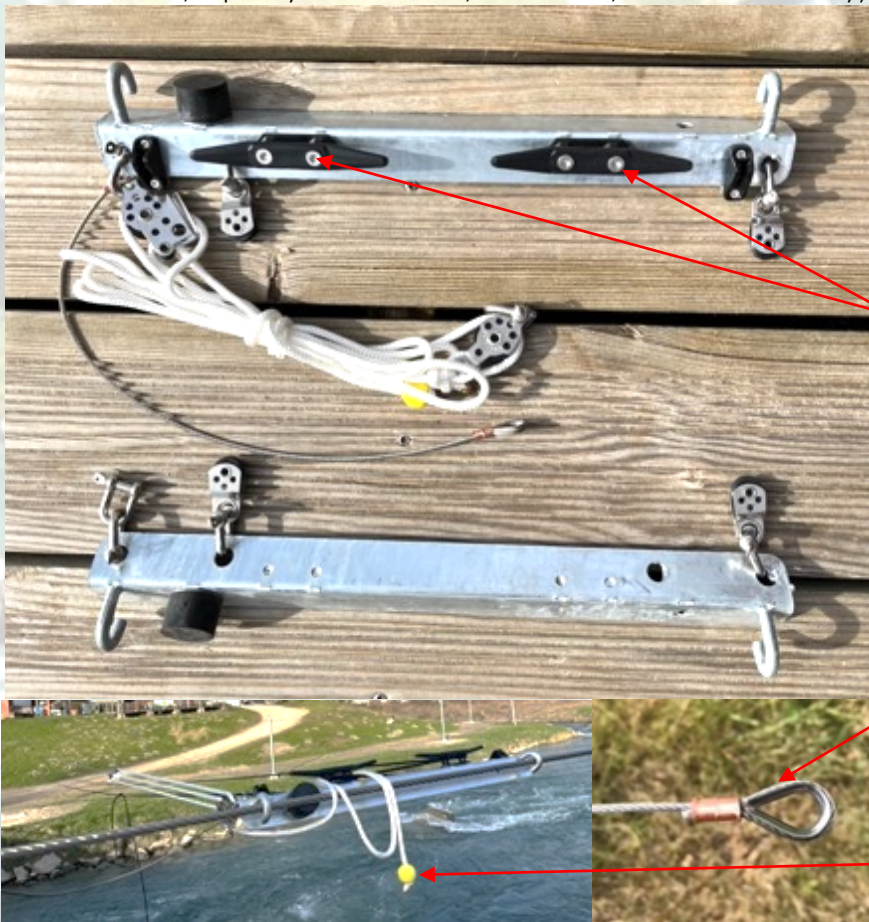
Innovation 2025
Aluminum wedge cleat option for adjusting competition gates

Innovation 2025
A4 stainless steel hooks as standard for perfect resistance to friction on the carrier cable

30 x 30 x 400mm

Pair of galvanized steel transverse cable support ("EASY FIX" version)

Equipped set ready for assembly (" ESSENTIAL " Version)
+ 1 tensioner, 4 pulleys for shuttles, 9 shackles, 30cm cable safety)



A2 stainless steel torx screws and nuts to facilitate replacement of the cleat if necessary

Copper sleeve and stainless steel hart pod for cable safety

"Stop Rope" ball for better grip and cable safety

30mm x 30mm x 400mm

2.5 and 8mm A4 stainless steel flexible cable for longitudinal and transverse cables
(7 strands of 19 steel wires for the 8mm cable)



M12 stainless steel A4 hook/hook tensioner for tensioning carrier cables
(Available Eye/Hook, Eye/Eye)

Caractéristiques

référence	filetage	CMU	E	L	L1	L2	poids
		(kg)	(mm)	(mm)	(mm)	(mm)	le %
TCH105	M5	50	9	70	128	184	4,50
TCH106	M6	60	10	90	160	228	7,50
TCH108	M8	150	11	120	215	309	16,50
TCH110	M10	230	12	150	265	380	28,00
TCH112	M12	300	15	200	310	480	51,00
TCH116	M16	370	16	250	400	594	106,00
TCH120	M20	500	20	300	490	733	187,00

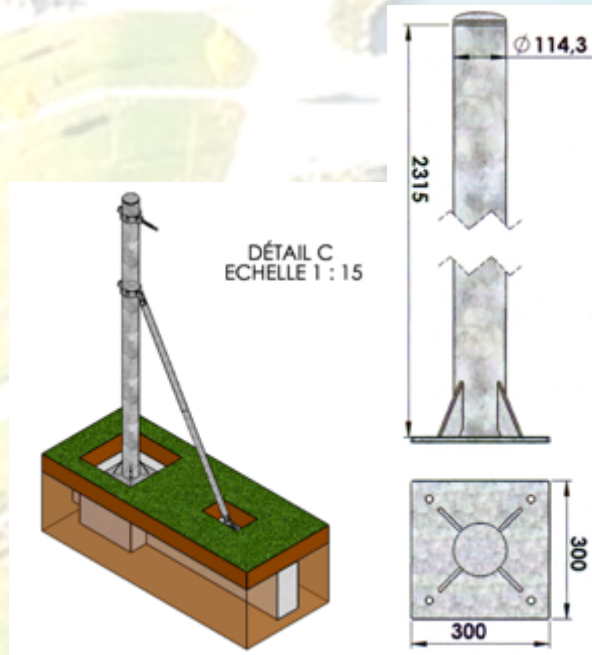
Sleeve and cutting pliers



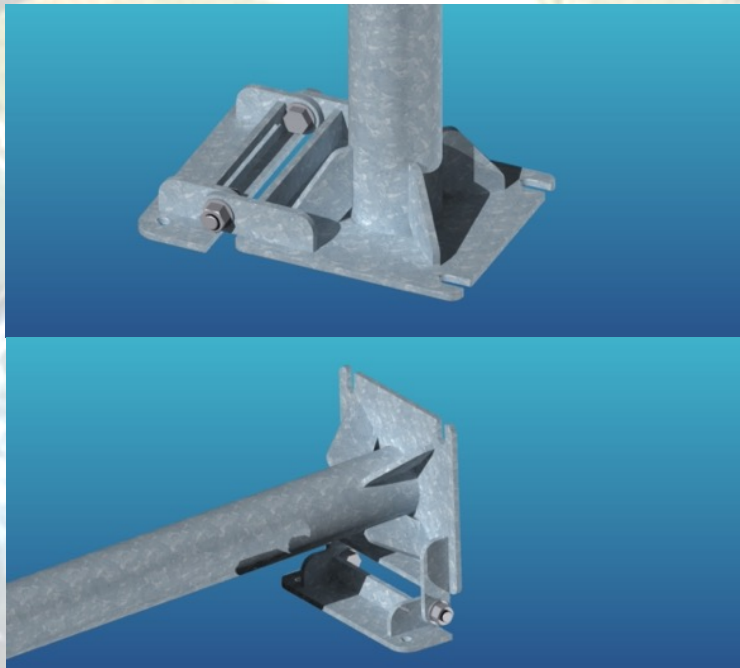
RHEOLOGY

2156 Route de Cercier 74330 CHOISY France / www.rheologik.com / contact@rheologik.com

Galvanized steel post custom dimensions
With or without strut



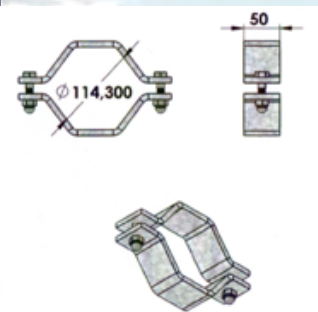
Posts on articulated plate



RHEOLOGY

2156 Route de Cercier 74330 CHOISY France / www.rheologik.com / contact@rheologik.com

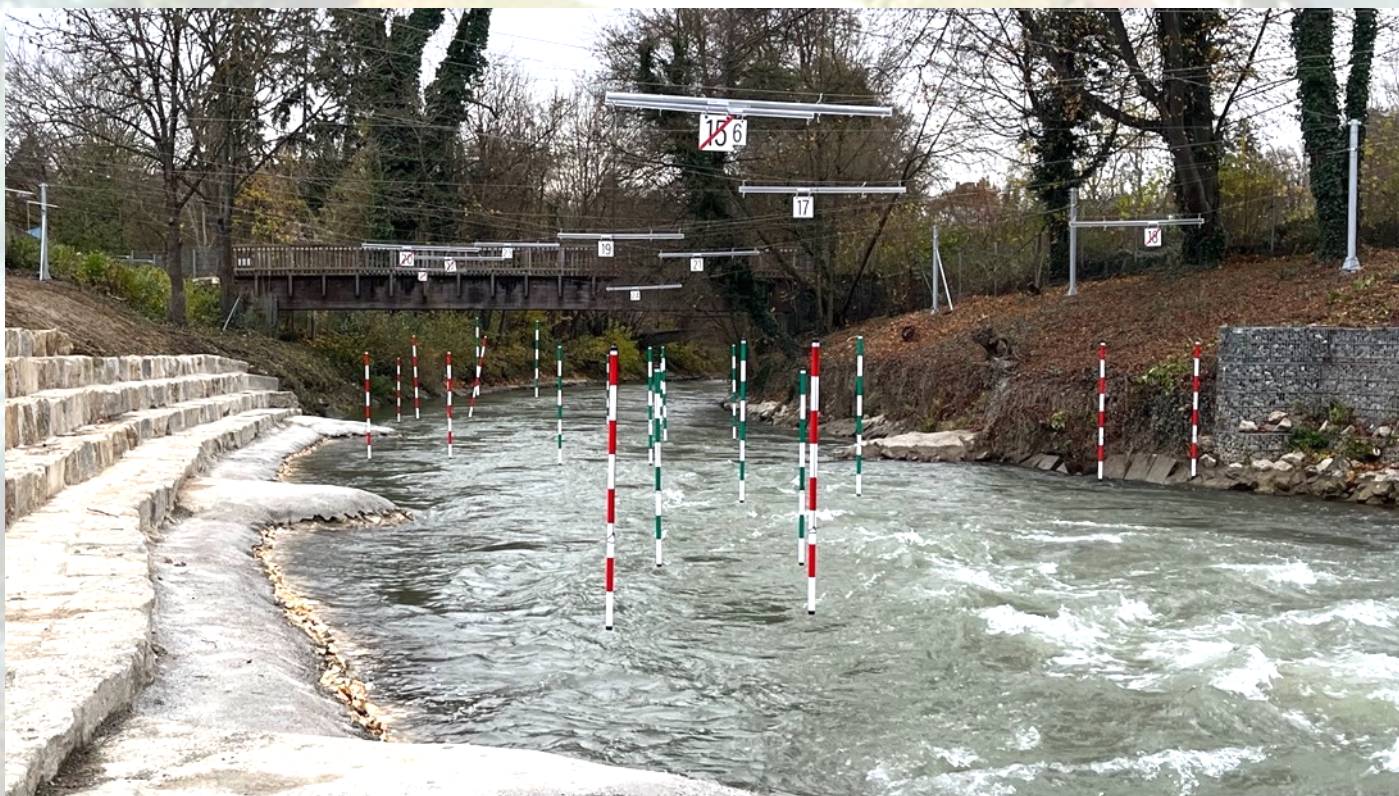
Fixing collar for carrier cables and strut



Gates



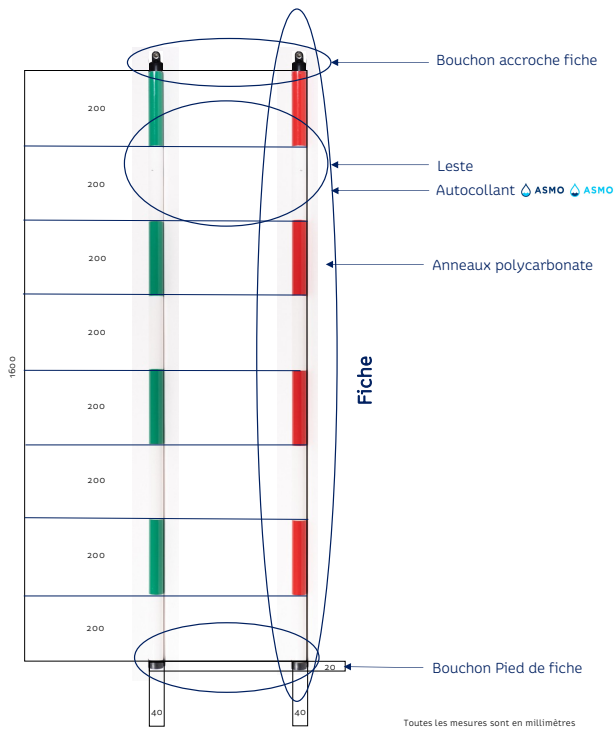
New generation polycarbonate slalom gates from ASMO. Quite simply the most advanced training or competition slalom gate on the market for resistance to all tests!



RHEOLOGY

2156 Route de Cercier 74330 CHOISY France / www.rheologik.com / contact@rheologik.com

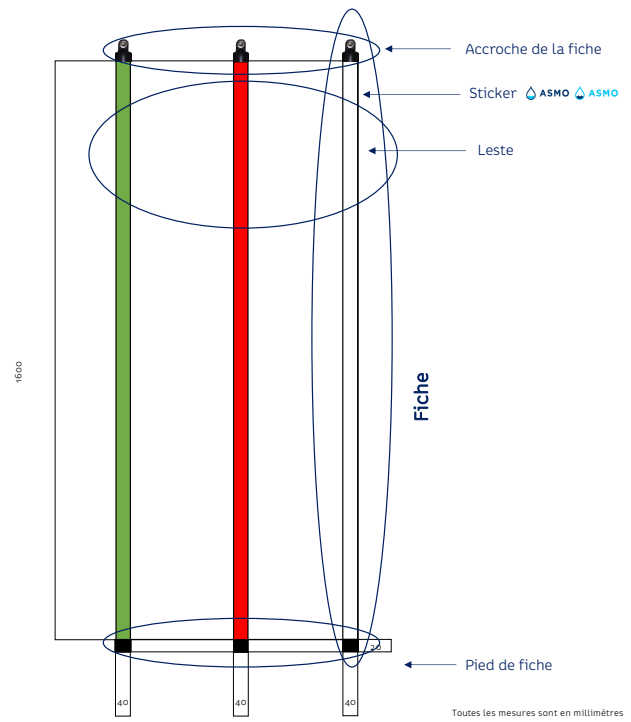
**PLAN FICHE COMPÉTITION - ANNEAUX
MODÈLES VERT & ROUGE
POIDS 1,7KG**



Jean-Yves CHEUTIN



**FICHE D'ENTRAÎNEMENT UNICOLORE
MODÈLES VERT - ROUGE - BLANC
1KG**



08/11/2023

Jean-Yves CHEUTIN



RHEOLOGY

2156 Route de Cercier 74330 CHOISY France / www.rheologik.com / contact@rheologik.com